

# Air Compressor & Hopper Guns (Gravity-Fed & Pressurized)

3A5725G  
EN

*For spray application of water-based architectural and texture coatings.  
Air compressor for supplying air to hopper guns only.  
Not approved for use in explosive atmospheres or hazardous (classified) locations.  
For professional use only.*

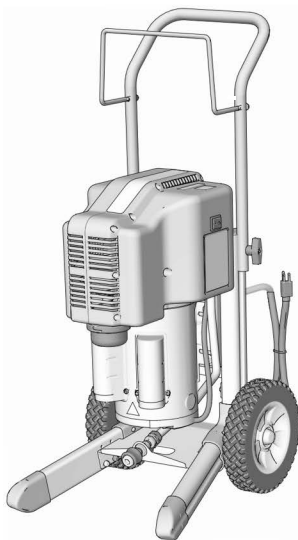
See page 3 for model information.

5 psi (0.03 MPa, 0.3 bar) Hopper Maximum Working Air Pressure  
60 psi (0.41 MPa, 4.1 bar) Compressor Maximum Working Air Pressure  
100 psi (0.69 MPa, 6.9 bar) Gun Maximum Working Air Pressure

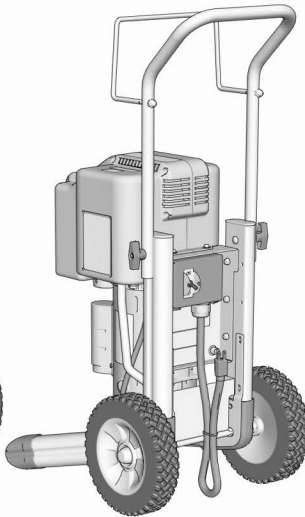


## Important Safety Instructions

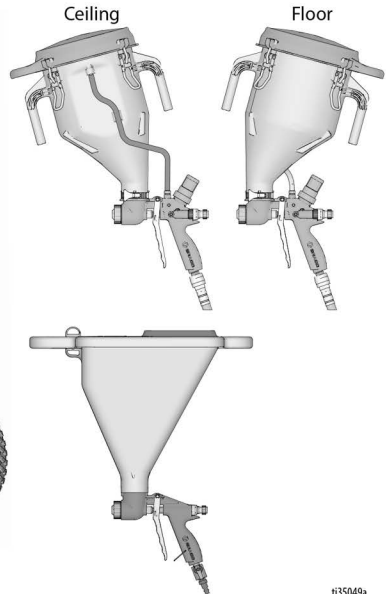
Read all warnings and instructions in this manual. Be familiar with the controls and the proper usage of the equipment. Save these instructions.



SERIES A



SERIES B



t35049a





# Table of Contents

## Table of Contents

<b>Models</b> .....	<b>3</b>
<b>Warnings</b> .....	<b>4</b>
<b>Component Identification</b> .....	<b>7</b>
25D496 - Pressurized Hopper Gun .....	7
<b>Component Identification</b> .....	<b>8</b>
25D497 - Gravity-Fed Hopper Gun .....	8
<b>Component Identification</b> .....	<b>9</b>
25D490 - Air Compressor .....	9
<b>Preparation</b> .....	<b>10</b>
Pressure Relief Procedure .....	10
Grounding .....	11
Power Supply .....	11
Extension Cords .....	11
<b>Setup</b> .....	<b>12</b>
Material Hopper .....	13
Mixing Material .....	15
<b>Operation (Pressurized Hopper Gun)</b> .....	<b>16</b>
Texture Spraying .....	16
Adjusting the System (Pressurized Gun Only) .....	18
Recommended Nozzle & Disc Selection Charts .....	19
<b>Cleanup</b> .....	<b>20</b>
<b>Troubleshooting</b> .....	<b>22</b>
<b>Parts - Air Compressor (Series A)</b> .....	<b>24</b>
25D490 (120V) & 25D491 (230V) .....	24
<b>Parts List - Air Compressor (Series A)</b> .....	<b>25</b>
25D490 (120V) & 25D491 (230V) .....	25
<b>Parts - Air Compressor (Series B)</b> .....	<b>26</b>
25D490 (120V) & 25D491 (230V) .....	26
<b>Parts List - Air Compressor (Series B)</b> .....	<b>27</b>
25D490 (120V) & 25D491 (230V) .....	27
<b>Parts - Air Compressor (cont.)</b> .....	<b>28</b>
25D490 (120V) & 25D491 (230V) .....	28
<b>Parts List - Air Compressor (cont.)</b> .....	<b>29</b>
25D490 (120V) & 25D491 (230V) .....	29
<b>Parts - Air Compressor</b> .....	<b>30</b>
25D490 (120V) & 25D491 (230V) .....	30
<b>Parts List - Air Compressor</b> .....	<b>31</b>
25D490 (120V) & 25D491 (230V) .....	31
<b>Parts - Pressurized Hopper 25D496</b> .....	<b>32</b>
<b>Parts List - Pressurized Hopper 25D496</b> .....	<b>33</b>
<b>Parts - Pressurized Gun 25D496</b> .....	<b>34</b>
<b>Parts List - Pressurized Gun 25D496</b> .....	<b>35</b>
<b>Parts - Gravity-Fed Hopper Gun 25D497</b> .....	<b>36</b>
<b>Parts List - Gravity-Fed Hopper Gun 25D497</b> .....	<b>37</b>
<b>Wiring Diagram</b> .....	<b>38</b>
<b>Air Diagram</b> .....	<b>39</b>
<b>Technical Specifications</b> .....	<b>40</b>
<b>Graco Standard Warranty</b> .....	<b>41</b>
<b>Graco Information</b> .....	<b>42</b>

# Models

	Model	Description	VAC
	25D490	Air Compressor, bare	120 USA
	25D492	Air Compressor, w/ pressurized hopper gun	
	25D494	Air Compressor, w/ gravity-fed hopper gun	
	25D491	Air Compressor, bare	230 Europe
	25D493	Air Compressor, w/ pressurized hopper gun	
	25D495	Air Compressor, w/ gravity-fed hopper gun	
	25D496	Pressurized Hopper Gun	
	25D497	Gravity-Fed Hopper Gun	

## Warnings

The following warnings are for the setup, use, grounding, maintenance, and repair of this equipment. The exclamation point symbol alerts you to a general warning and the hazard symbols refer to procedure-specific risks. When these symbols appear in the body of this manual or on warning labels, refer back to these Warnings. Product-specific hazard symbols and warnings not covered in this section may appear throughout the body of this manual where applicable.

### **WARNING**

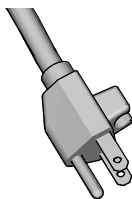


#### **GROUNDING**

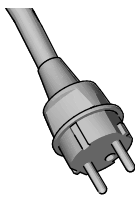
This product must be grounded. In the event of an electrical short circuit, grounding reduces the risk of electric shock by providing an escape wire for the electric current. This product is equipped with a cord having a grounding wire with an appropriate grounding plug. The plug must be plugged into an outlet that is properly installed and grounded in accordance with all local codes and ordinances.

- Improper installation of the grounding plug is able to result in a risk of electric shock.
- When repair or replacement of the cord or plug is required, do not connect the grounding wire to either flat blade terminal.
- The wire with insulation having an outer surface that is green with or without yellow stripes is the grounding wire.
- Check with a qualified electrician or serviceman when the grounding instructions are not completely understood, or when in doubt as to whether the product is properly grounded.
- Do not modify the plug provided; if it does not fit the outlet, have the proper outlet installed by a qualified electrician.
- This product is for use on a nominal 120V or 230V circuit and has a grounding plug similar to the plugs illustrated below.

120V US



230V



- Only connect the product to an outlet having the same configuration as the plug.
- Do not use an adapter with this product.

#### **Extension Cords:**

- Use only a 3-wire extension cord that has a grounding plug and a grounding receptacle that accepts the plug on the product.
- Make sure your extension cord is not damaged. If an extension cord is necessary use 12 AWG (2.5mm<sup>2</sup>) minimum, 50 ft maximum length, to carry the current that the product draws.
- An undersized cord results in a drop in line voltage and loss of power and overheating.

## **WARNING**



### **ELECTRIC SHOCK HAZARD**

This equipment must be grounded. Improper grounding, setup, or usage of the system can cause electric shock.

- Turn off and disconnect power cord before servicing equipment.
- Connect only to grounded electrical outlets.
- Use only 3-wire extension cords.
- Ensure ground prongs are intact on power and extension cords.
- Do not expose to rain. Store indoors.



### **PRESSURIZED EQUIPMENT HAZARD**

Fluid from the equipment, leaks, or ruptured components can splash in the eyes or on skin and cause serious injury.



- Follow the **Pressure Relief Procedure** when you stop spraying/dispensing and before cleaning, checking, or servicing equipment.
- Tighten all fluid connections before operating the equipment.
- Check hoses, tubes, and couplings daily. Replace worn or damaged parts immediately.



### **EQUIPMENT MISUSE HAZARD**







Misuse can cause death or serious injury.



- Always wear appropriate gloves, eye protection, and a respirator or mask when spraying.
- Do not operate or spray near children. Keep children away from equipment at all times.
- Do not overreach or stand on an unstable support. Keep effective footing and balance at all times.
- Stay alert and watch what you are doing.
- Do not operate the unit when fatigued or under the influence of drugs or alcohol.
- Do not kink or over-bend the hose.
- Do not expose the hose to temperatures or to pressures in excess of those specified by Graco.
- Do not use the hose as a strength member to pull or lift the equipment.
- Do not alter or modify equipment. Alterations or modifications may void agency approvals and create safety hazards.
- Make sure all equipment is rated and approved for the environment in which you are using it.

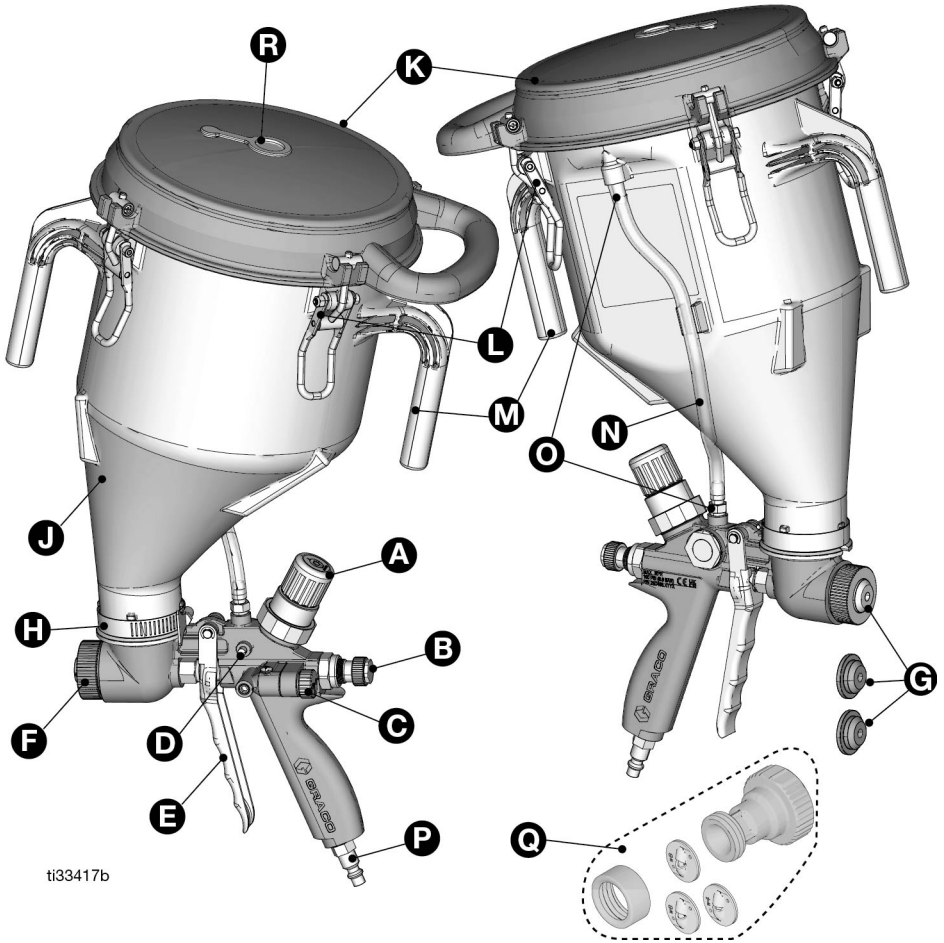
# Warnings

## **WARNING**

 	<b>PLASTIC PARTS CLEANING SOLVENT HAZARD</b> Many cleaning solvents can degrade plastic parts and cause them to fail, which could cause serious injury or property damage. <ul style="list-style-type: none"><li>• Use only compatible solvents to clean plastic structural or pressure-containing parts.</li><li>• See <b>Technical Specifications</b> in all equipment manuals for materials of construction. Consult the solvent manufacturer for information and recommendations about compatibility.</li></ul>
 	<b>MOVING PARTS HAZARD</b> Moving parts can pinch, cut or amputate fingers and other body parts. <ul style="list-style-type: none"><li>• Keep clear of moving parts.</li><li>• Do not operate equipment with protective guards or covers removed.</li><li>• Pressurized equipment can start without warning. Before checking, moving, or servicing equipment, follow the <b>Pressure Relief Procedure</b> and disconnect all power sources.</li></ul>
	<b>BURN HAZARD</b> Equipment surfaces and fluid that is heated can become very hot during operation. <ul style="list-style-type: none"><li>• Do not touch hot fluid or equipment.</li></ul>
	<b>PERSONAL PROTECTIVE EQUIPMENT</b> Wear appropriate protective equipment when in the work area to help prevent serious injury, including eye injury, hearing loss, inhalation of toxic fumes, and burns. This protective equipment includes but is not limited to: <ul style="list-style-type: none"><li>• Protective eyewear, and hearing protection.</li><li>• Respirators, protective clothing, and gloves as recommended by the fluid and solvent manufacturer.</li></ul>
	<b>CALIFORNIA PROPOSITION 65</b> This product contains a chemical known to the State of California to cause cancer, birth defects or other reproductive harm. Wash hands after handling.

## Component Identification

### 25D496 - Pressurized Hopper Gun



ti33417b

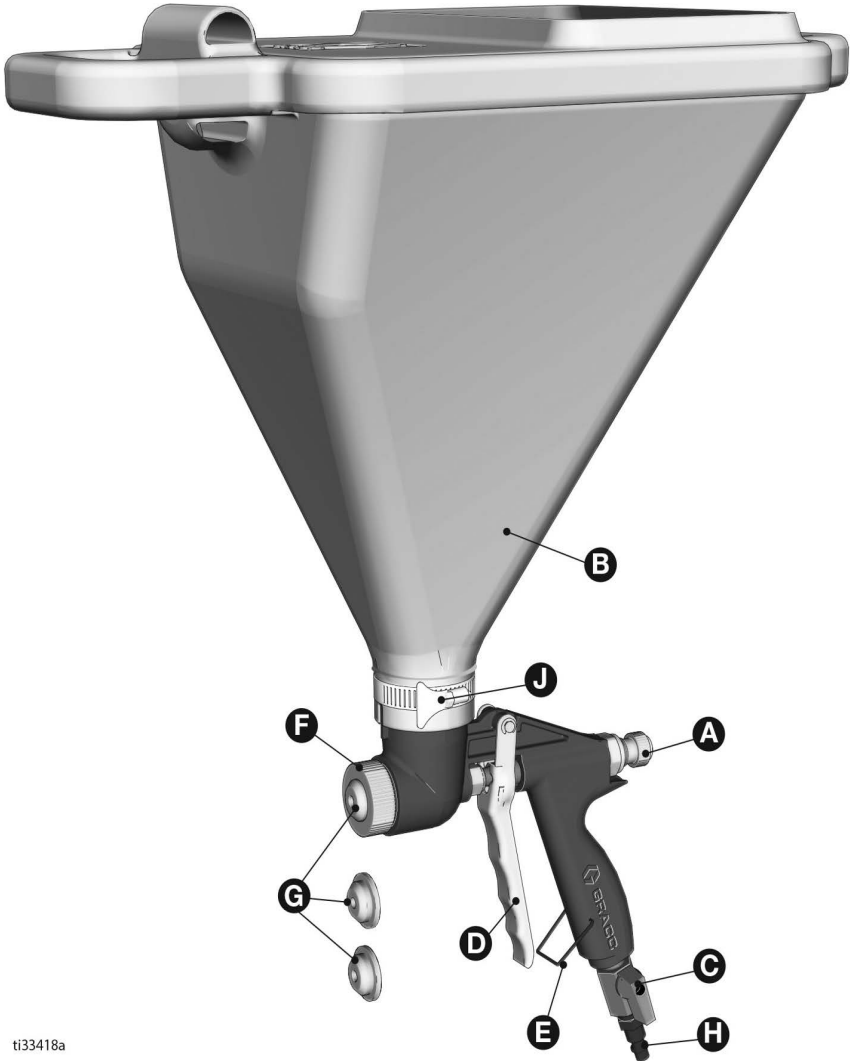
A	Material Flow Regulator (Push down to lock. Pull up to unlock)
B	Needle Travel Adjustment Knob
C	Air Flow Valve
D	Pressure Relief Valve
E	Trigger
F	Nozzle Retainer
G	Material Nozzles (4mm, 6mm & 8mm)
H	Hopper Clamp

J	Hopper
K	Hopper Lid
L	Lid Clamps
M	Hopper Handle
N	Hopper Air Supply Tube
O	Hopper Tube Barbs
P	Air Hose Fitting
Q	WideTex Kit
R	Pressure Relief Plug

# Component Identification

## Component Identification

### 25D497 - Gravity-Fed Hopper Gun



ti33418a

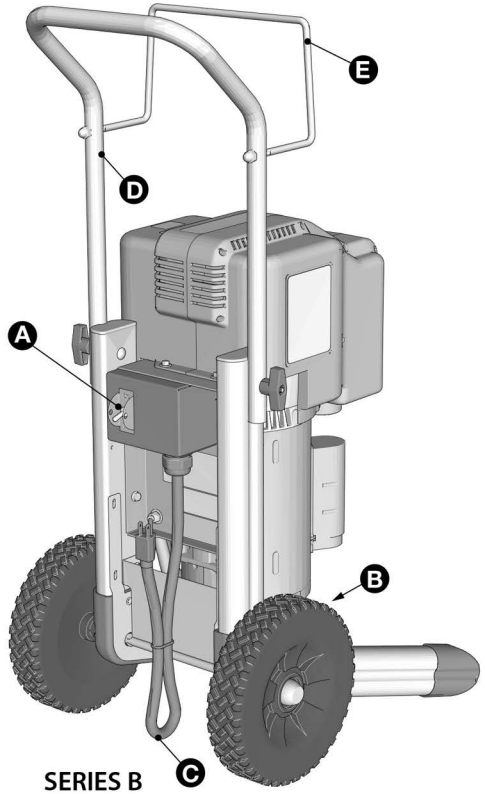
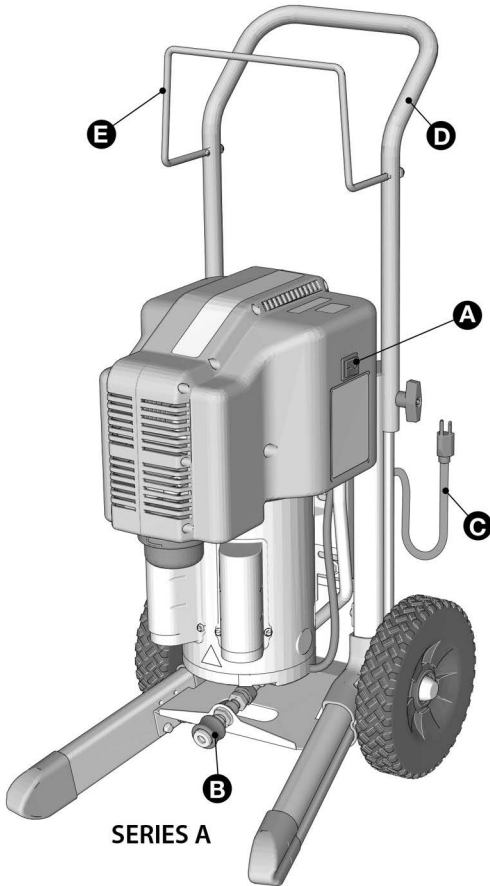
A	Needle Travel Adjustment Knob
B	Hopper
C	Air Valve
D	Trigger
E	Trigger Lock

F	Nozzle Retainer
G	Material Nozzles (4mm, 6mm & 8mm)
H	Air Hose Fitting
J	Hopper Clamp



## Component Identification

### 25D490 - Air Compressor



t135051a

A	Power Switch
B	Air Hose Fitting
C	Power Cord

D	Cart Handle
E	Hose/Power Cord Storage

# Preparation

## Preparation

### Pressure Relief Procedure

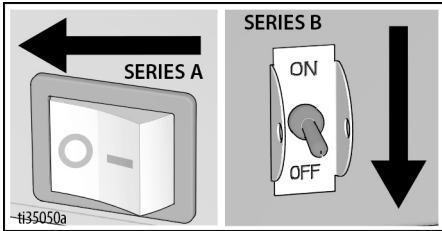


Follow the Pressure Relief Procedure whenever you see this symbol.

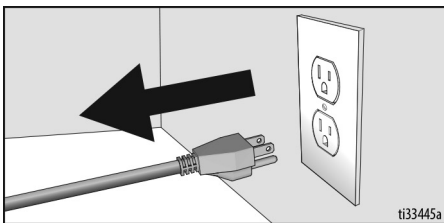


The hopper is pressurized. To reduce the risk of splashing from pressurized fluid, always follow the **Pressure Relief Procedure** before removing the hopper from the gun.

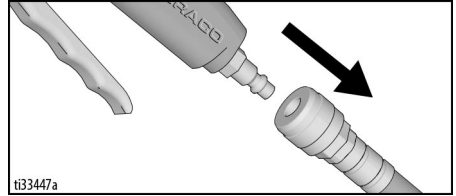
1. Turn air compressor ON/OFF switch to the **OFF** position.



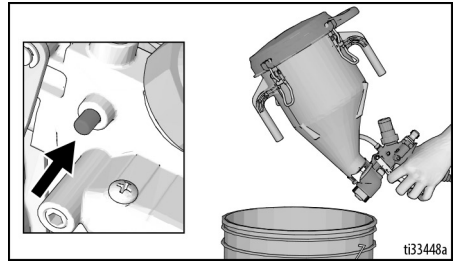
2. Unplug power cord.



3. Disconnect spray gun from air hose.



4. Open pressure relief valve on gun by pressing button (pressurized gun only). Aim gun into waste bucket and trigger the gun until all air and material pressure is relieved.



### NOTICE

Do not relieve pressure by lifting the hopper clamps. Lifting the clamps while the hopper is pressurized may damage the hopper and/or hopper lid.

## Grounding



The equipment must be grounded to reduce the risk of static sparking and electric shock. An electric or static spark can cause fumes to ignite or explode. An improper ground can cause electric shock. A good ground provides an escape wire for the electric current.

This product is equipped with a cord that has a grounding wire and an appropriate grounding plug. The plug must be plugged into an outlet that is properly installed and grounded in accordance with all local codes and ordinances.

Do not modify the plug provided; if it does not fit the outlet, have the proper outlet installed by a qualified electrician.

## Power Supply

For best performance and reliable starting, the air compressor must be plugged into a dedicated circuit, as close as possible to the fusebox or circuit breaker. The compressor will use the full capacity of a typical 15 amp household circuit.

If connected to a circuit protected by fuses, use time-delay fuses with this product.

## Extension Cords

**NOTE:** Avoid use of extension cords if possible.

For optimum performance, plug compressor power cord directly into a grounded wall socket. Do not use an extension cord unless absolute necessary. Instead, use a longer air hose to reach the area where the air is needed.

If an extension cord is necessary, use 12 AWG (2.5 mm<sup>2</sup>) minimum, 50 feet maximum length.

# Setup

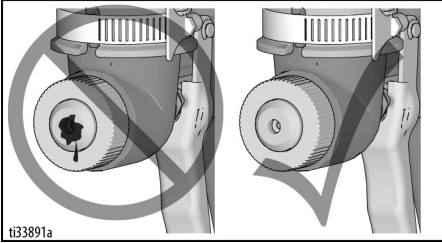
## Setup

### NOTICE

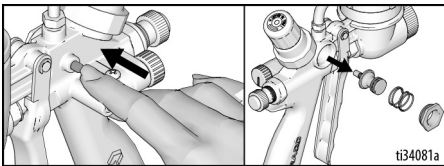
- Do not store spray system under pressure. This may cause damage to the spray system.
- Do not allow material to dry inside hopper, hoses, gun nozzles or spray system. This may cause system to fail.

When unpacking spray system for the first time or after storage, perform setup procedure.

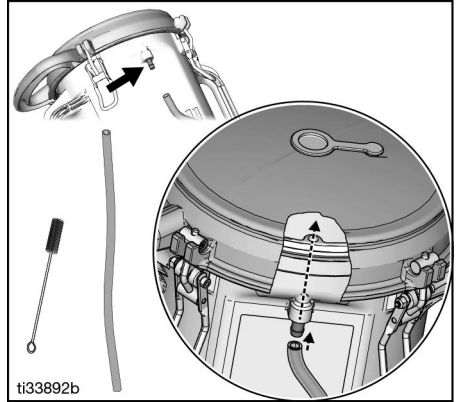
1. Check material nozzle before spraying to ensure there is not an air blockage. Clean before using.



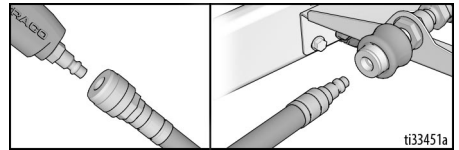
2. Check to make sure air relief valve moves freely when button is pushed. Take apart and clean if necessary. Grease o-rings and reassemble.



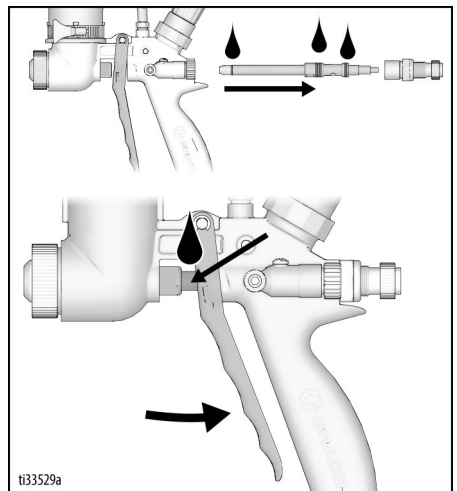
3. Make sure hopper air passageway and air supply tube are free of debris. Clean before using.



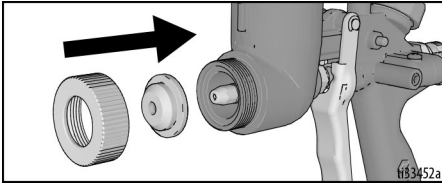
4. Connect one end of air hose to the compressor air outlet fitting and the other end to the gun air inlet fitting.



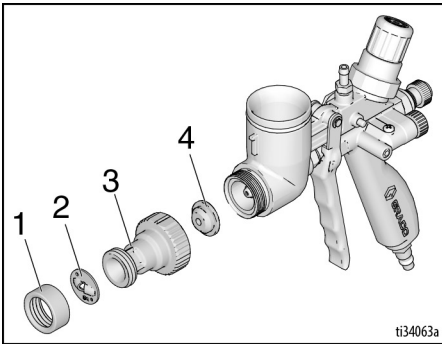
5. Test gun trigger. Lubricate needle seals if necessary.



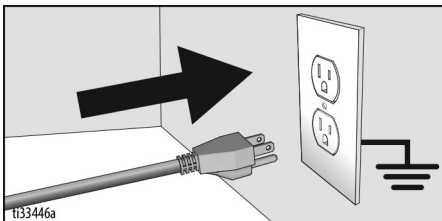
- Install material nozzle on front of gun and secure using retaining ring. Pulling the trigger when installing nozzle makes assembly easier.



- If using **WideTex adapter**, install disc (2) on front of adapter (3) with retaining ring (1). Install a standard nozzle (4) on front of gun with the assembly. Pulling trigger when installing nozzle makes assembly easier. If desired finish is not achieved, try a different size standard nozzle. See **Recommended Nozzle & Disc Selection Charts**, page 19.

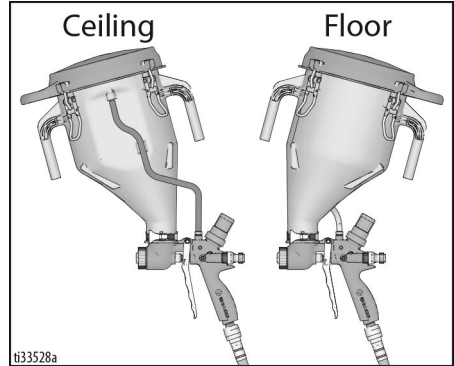


- Plug power cord into a properly grounded outlet.



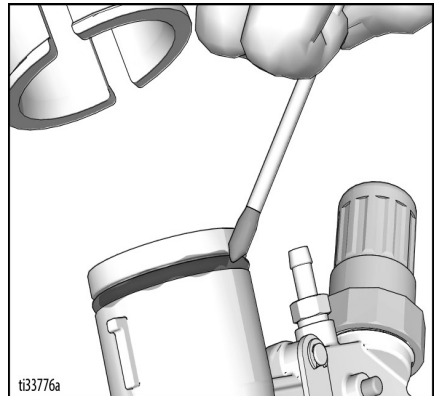
## Material Hopper

When spraying ceilings, the hopper should be tilted forward. When spraying floors, the hopper should be tilted backward. Doing so aids in emptying more texture from the hopper.



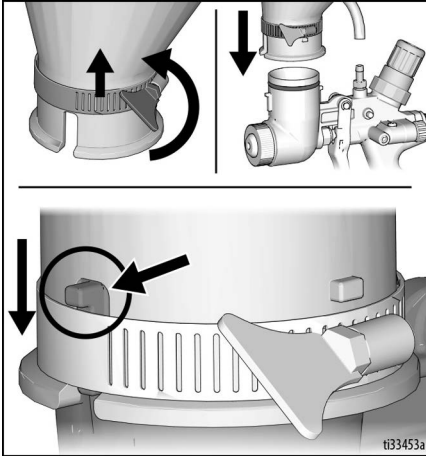
## Install Hopper

- Apply grease to o-ring to make hopper easier to attach to the gun.

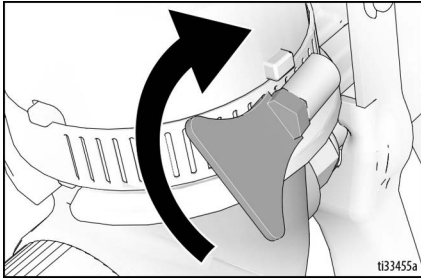


# Setup

- Loosen hopper clamp, slide it over the rib and toward the top of the hopper.
- Position hopper outlet over the hopper port on the gun and push hopper down as far as it will go, while slightly rotating. Slide down hopper clamp.



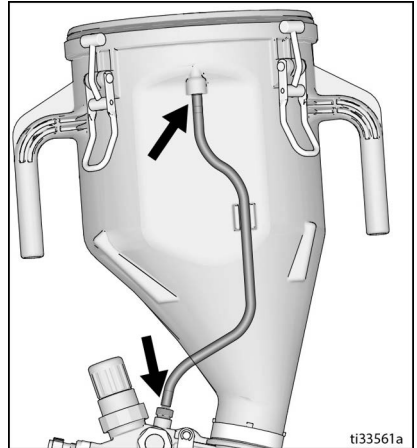
- Hand tighten the hopper clamp.



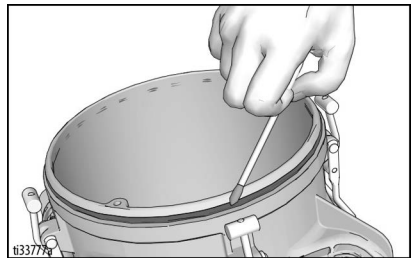
- Pressurized hopper gun only:** Attach tube from hopper barb to gun barb. **Do not clamp air supply tube to barbs.** The tube is designed to disconnect if hopper is over-pressurized.

--	--	--	--	--

**RUPTURE HAZARD**  
Over-pressurization can result in hopper rupture and injury. To avoid injury, do not exceed maximum hopper pressure rating. Only pressurize hopper by connecting air supply tube to barbs on hopper and gun. Only use genuine Graco air supply tube 17V945 and pressure relief plug 17Y386.



- Apply grease to hopper o-ring to make hopper lid easier to attached to the hopper.

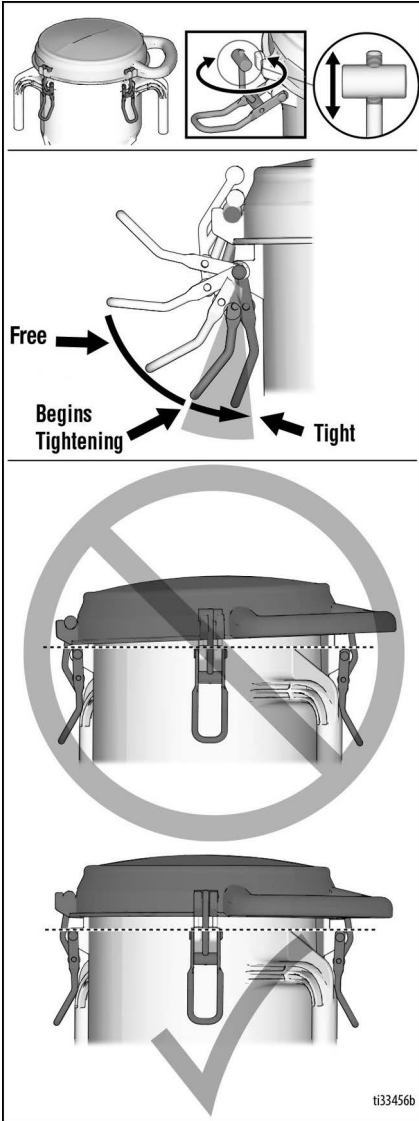


- Pressurized hopper gun only:** If lid is too loose and leaks air when pressurized, adjust the four lid clamps to tighten lid.

**NOTE:** Each clamp should be adjusted equally so the lid sits even on the hopper.

### NOTICE

Over-tightening the lid may damage the hopper and/or hopper lid.



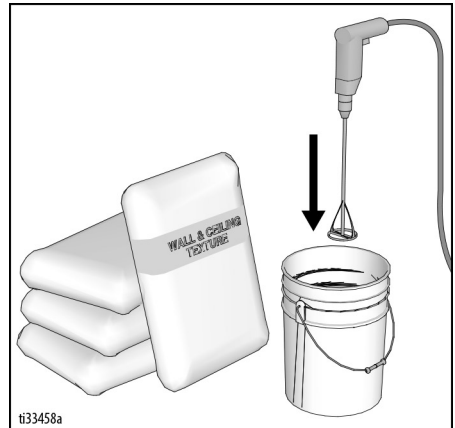
## Mixing Material



- Mix the material in a separate container before pouring it into hopper.
  - If thicker materials are desired, test material flow in hopper first. Then spray a test pattern.
  - For best results, do not use partial bags of material.
1. Mix the material and water in a separate container.

### Dry Mix

Carefully mix texture material and water according to manufacturer instructions on bag.



### Premix

Slowly add approximately 2 to 6 quarts (1.9 to 5.7 liters) of water to a 5 gallon (18.9 liter) bucket of premix.

2. Agitate to mix, using a half-inch, variable speed drill with mixing paddle, to a smooth, lump-free consistency.
3. Allow ceiling texture to set for at least 15 minutes. Then remix prior to use.

# Operation (Pressurized Hopper Gun)

## Operation (Pressurized Hopper Gun)

For the best spraying experience, always follow the Setup and Operation procedures. This ensures that the material and spray system are ready to spray resulting in a successful project.



### RUPTURE HAZARD

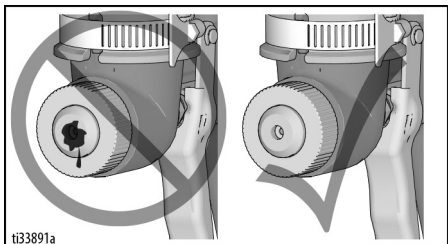
Over-pressurization can result in hopper rupture and injury. The air supply tube and pressure relief plug is designed to disconnect if hopper is over-pressurized.

#### To avoid over-pressurization:

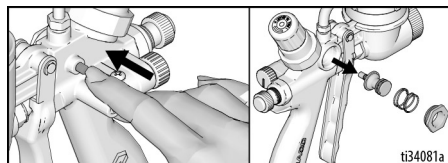
- Inspect and clean gun tip before use.
- Do not clamp air supply tube to barbs.
- Inspect and clean hopper air passageway.
- Make sure air relief valve moves freely when button is pushed.

## Texture Spraying

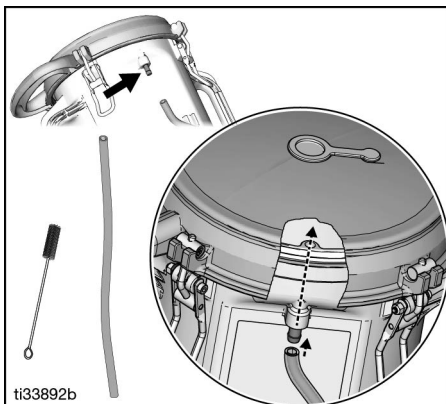
1. Check material nozzle before spraying to ensure there is not an air blockage.



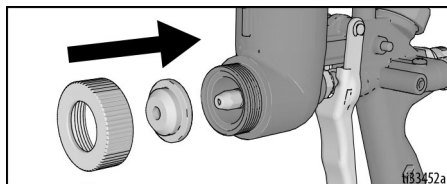
2. Check to make sure air relief valve moves freely when button is pushed. Take apart and clean if necessary. Grease o-rings and reassemble.



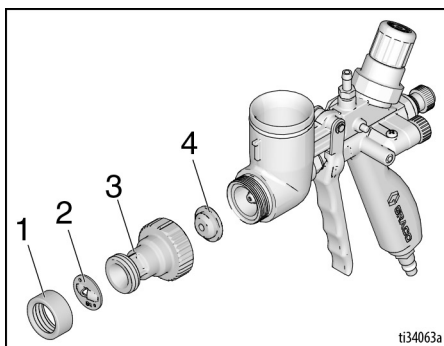
3. Make sure hopper air passageway, pressure relief plug, and air supply tube are free of debris. Only use genuine Graco air supply tube 17V945 and pressure relief plug 17Y386.



4. Install material nozzle.



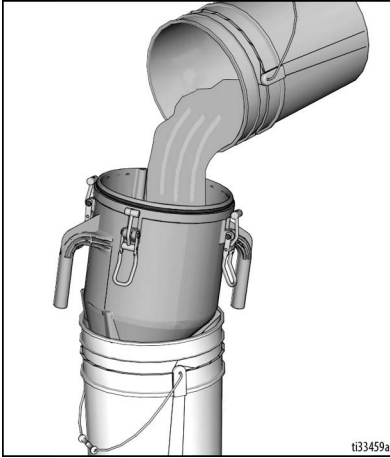
5. If using **WideTex adapter**, install disc (2) on front of adapter (3) with retaining ring (1). Install a standard nozzle (4) on front of gun with the assembly. Pulling trigger when installing nozzle makes assembly easier. If desired finish is not achieved, try a different size standard nozzle. See **Recommended Nozzle & Disc Selection Charts**, page 19.



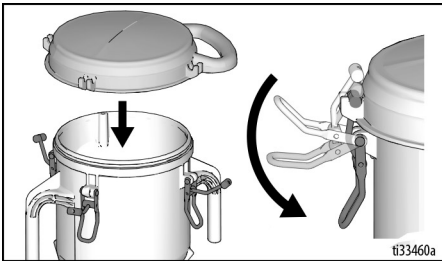


# Operation (Pressurized Hopper Gun)

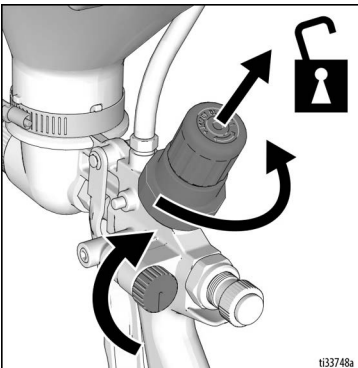
6. Fill hopper with prepared texture material. See **Mixing Material**, page 15.



7. Fasten lid.

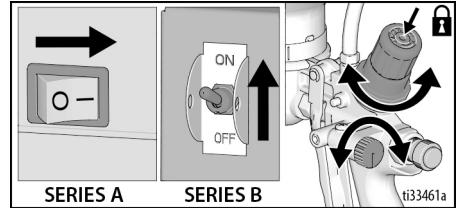


8. Pull up on material flow regulator knob to unlock. Completely close the air flow valve by turning the knob clockwise; turn the material flow regulator to the lowest setting counterclockwise.



9. For proper spray pattern and gun adjustments, see **Adjusting the System (Pressurized Gun Only)**, page 18.

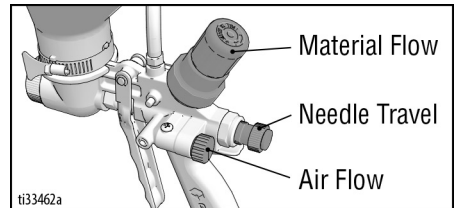
10. Turn air compressor power switch ON. Adjust air flow valve and material flow regulator on hopper gun for desired texture. Push down on the material flow regulator to lock settings.



## NOTICE

If material gets in needle or gun air passages, flush with water immediately.

11. To achieve uniform spray pattern, adjust air flow valve, needle travel and material flow regulator. If you do not achieve the desired pattern, change nozzles.



**Material Flow Regulator:** Pressurizes the material hopper and adjusts material flow. Turn counterclockwise to decrease flow; turn clockwise to increase flow. Push down to lock; pull up to unlock.

**Needle Travel Adjustment Knob:** Adjusts the positions of the gun needle in relation to the spray tip. Turn clockwise to limit needle travel and reduce material flow; turn counterclockwise to increase needle travel and increase flow.

**Air Flow Valve:** Adjusts the amount of atomizing air that is sent to the spray tip to control the spray pattern. Turn clockwise to decrease air flow; turn counterclockwise to increase air flow.

# Operation (Pressurized Hopper Gun)

## Adjusting the System (Pressurized Gun Only)

Sufficient fluid output (volume and pressure) and good atomization is a balance of atomizing air, material thickness/material flow and nozzle selection. Achieving the correct balance for your application requires experimentation to achieve desired results. Keep in mind these important points when adjusting gun:

- To select correct nozzle for your applications, consider size of aggregate in material and coarseness of spray pattern. Remember the larger the material nozzle, the larger the pattern.
- Set material flow by closing air flow valve, and adjusting material flow regulator, while pulling trigger to get the appropriate material flow.
- Start spray system with air flow valve completely open. If needed, slowly close gun air flow valve until you get the desired spray pattern. Use minimum amount of air at spray gun to achieve proper spray pattern and to minimize bounce back.
  - + Test spray pattern on cardboard. Hold gun 18 to 48 in. (45.7 to 122 cm) from surface. Use this spraying distance for most applications.
  - + When spraying with a material nozzle only, overlap each stroke 50% in a circular motion.
  - + When spraying with a material nozzle and disc, overlap each stroke 50% in a linear motion.
- Gun air flow is regulated using air flow valve located on the left side of the gun.

- + Opening air flow valve (counterclockwise) increases air flow through gun.
- + Closing air flow valve (clockwise) decreases air flow through gun.

### For Less Material Flow

Try one or a combination of these methods:

- Turn material flow regulator knob counter-clockwise on gun to decrease material flow.
- Use thicker material mixture.
- Use smaller material nozzle.
- Decrease needle travel.

### For More Material Flow

Try any one or a combination of these methods:

- Turn material flow regulator knob clockwise on gun to increase material flow.
- Use thinner material mixture.
- Use a larger material nozzle.
- Increase needle travel.

### For Continuous Spraying

Use trigger lock to hold trigger open and reduce fatigue (only on gravity-fed gun)

### Check Material Consistency Periodically

Check and thin material as needed to maintain proper consistency. The material may thicken as it sits and slow down production. Agitate periodically.

# Operation (Pressurized Hopper Gun)

## Recommended Nozzle & Disc Selection Charts

### Nozzle

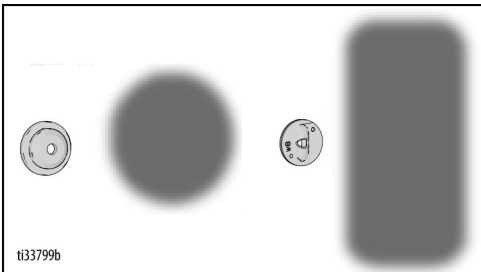
Application	Nozzle Size <sup>1</sup>	Air Volume <sup>2</sup>
Simulated Acoustic	6 mm ( <i>fine to medium</i> ) 8 mm ( <i>coarse</i> )	Medium to High
Orange Peel	4 mm 6 mm	Medium to High
Splatter Coat	6 mm 8 mm	Low to Medium
Knock down	8 mm	Low
<sup>1</sup> For more material volume, try a larger nozzle.		
<sup>2</sup> Adjust air volume with gun air flow valve.		

### WideTex™ Disc

Application	WideTex Disc (Standard)	Nozzle (mm)	Air Volume
<b>Simulated Acoustic</b>			
Fine	W6	4	High
Medium	W6	6	High
Coarse	W8	8	High
<b>Fog</b>	W4	4	High
<b>Orange Peel</b>	W4 or W6	4-8	Medium to High
<b>Splatter Coat</b>	W6 or W8	6-8	Low to Medium
<b>Knockdown</b>	W6 or W8	6-8	Low

#### Nozzle Pattern

#### WideTex Pattern



# Cleanup

## Cleanup

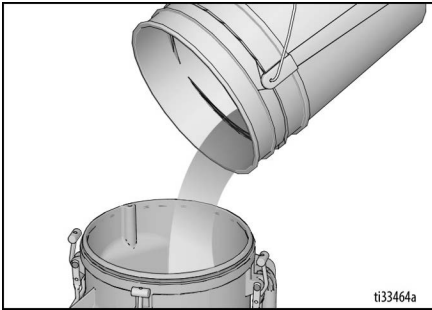


Once you finish spraying, follow these steps to clean your gun and hopper.

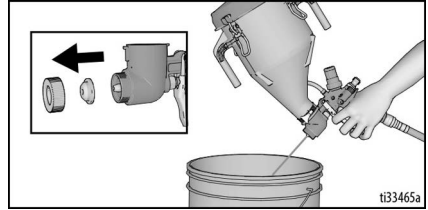
1. Perform **Pressure Relief Procedure**, page 10.
2. Drain remaining material into a bucket until most of the texture material is out of hopper.



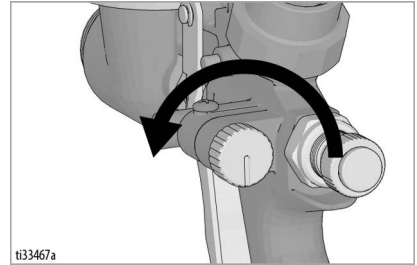
3. Fill hopper with clean water.



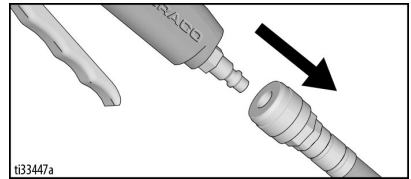
4. Remove nozzle from gun. Trigger gun into bucket until most of texture mix is out of the hopper. Allow water to flow through gun until gun is clean.



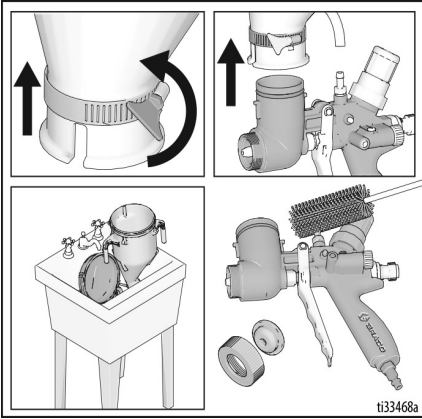
5. Open gun air flow valve, allowing air through nozzle to clear out any remaining material.



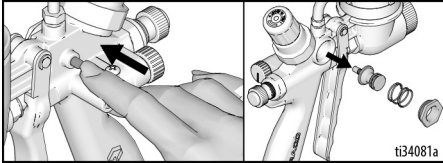
6. Disconnect spray gun from air hose.



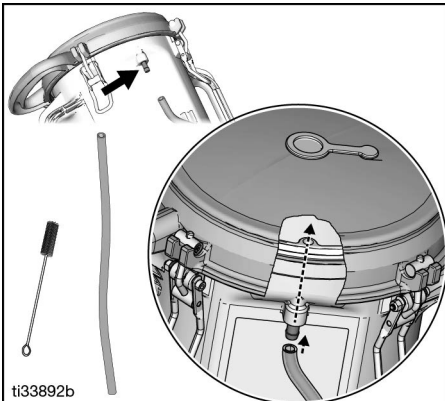
7. Remove hopper from gun and finish cleaning all components. A soft brush may be used to help loosen any dried material from the surface.



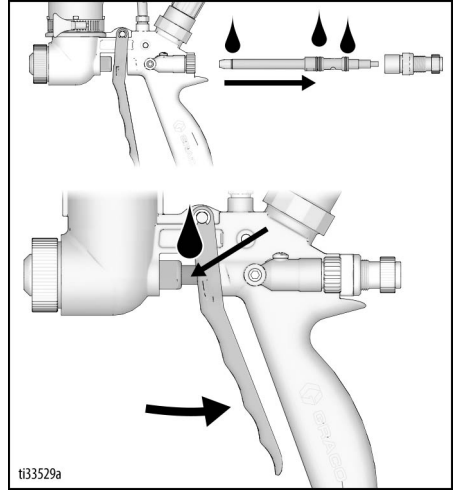
8. Check air relief valve. If sticky or contaminated with material, disassemble and clean. Grease o-rings and reassemble.



9. Clean hopper air passageway, pressure relief plug, and air supply tube.



10. Connect air hose to gun.
11. Turn air compressor ON.
12. Open gun air flow valve to allow air flow through the needle to clear out remaining material. Perform **Pressure Relief Procedure**, page 10.
13. If trigger feels sticky, lubricate needle seals.



## Troubleshooting



Problem	Cause	Solution
Motor stops	Motor overheated	Wait 30 minutes and restart compressor.
	Tripped circuit breaker	Check extension cord length, see <b>Extension Cords</b> , page 11.
		Make sure vents are not restricted on motor cover.
No (or too little) air flow	Solenoid air relief	Replace solenoid.
No (or too little) material flow	No pressure in hopper	Make sure hopper tube is attached.
	Material flow regulator knob adjusted too low	Turn material flow regulator knob clockwise to increase flow, see <b>For More Material Flow</b> , page 18.
	Air compressor is turned OFF	Turn air compressor ON, see <b>Operation (Pressurized Hopper Gun)</b> , page 16.
	Hopper lid too loose (leaks air)	Tighten hopper lid. See step 7, page 14.
	Hopper air passageway and/or hopper tube is plugged	Clear air passageway and/or hopper tube of debris.
	Material nozzle is clogged	Clear nozzle of debris.
	Hopper is empty	Fill hopper with prepared texture material. See <b>Mixing Material</b> , page 15.
Too much material flow	Material texture too thin	Mix texture with less water.
	Material nozzle too big	Switch to smaller material nozzle size.
	Material flow regulator knob adjusted too high	Turn material flow regulator knob counterclockwise to decrease flow, see <b>For Less Material Flow</b> , page 18.
Texture sprayed is too fine	Too much air flow	Turn air flow valve clockwise to decrease air flow.
	Material nozzle too small	Switch to bigger material nozzle size.
	Material flow regulator knob adjusted too low	Turn material flow regulator knob clockwise to increase flow, see <b>For More Material Flow</b> , page 18.

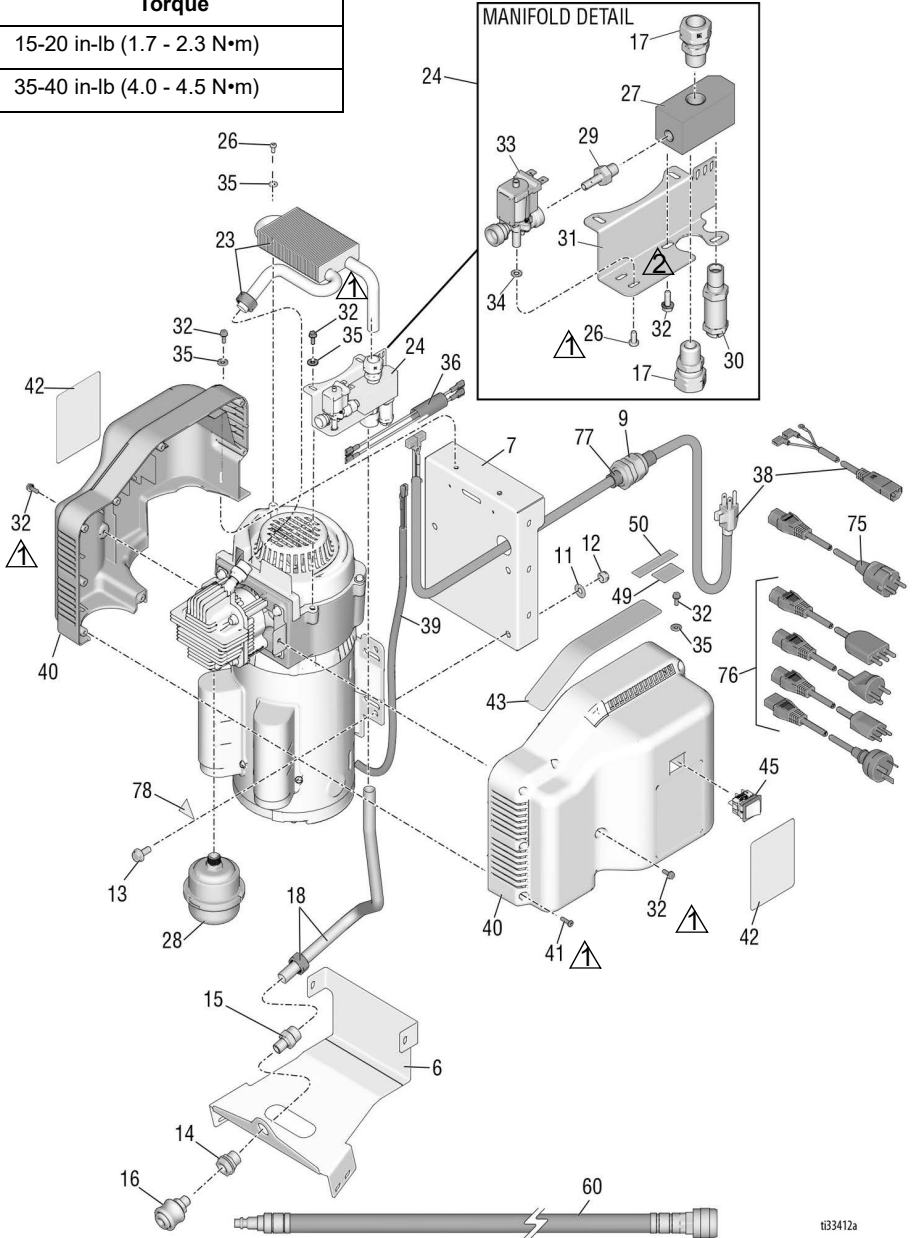
Problem	Cause	Solution
Texture sprayed is too coarse	Too little air flow	Turn air flow valve counterclockwise to increase air flow.
	Material nozzle too big	Switch to smaller nozzle size.
	Material flow regulator knob adjusted too high	Turn material flow regulator knob counterclockwise to decrease flow, see <b>For Less Material Flow</b> , page 18.
Texture leaking between hopper and gun	Hopper not fully secure to the gun	Push hopper down as far as it will go. See step 3, page 14.
	Hopper clamp loose	Tighten hopper clamp. See step 4, page 14.
	O-ring damaged	Replace o-ring.
	Hopper damaged	Replace hopper.
Gun trigger is sticky		Lubricate trigger.
Air supply tube on hopper pops off	Hopper pressure is above maximum operating pressure	Make sure front tip is clear.
		Replace material flow regulator knob. P/N 17V953, see pages 34-35.
Pressure relief continues to open	Hopper pressure is above maximum operating pressure	Make sure front tip is clear.
		Replace material flow regulator knob. P/N 17V953, see pages 34-35.
Pressure relief valve is sticky	Material contamination in valve	Disassemble valve. Clean parts and gun. Grease o-rings and reassemble.
Pressure relief plug detached	Hopper pressure is above the maximum operating pressure	Make sure front tip is clear. Attach or replace relief plug. Replace material flow regulator knob (P/N 17V953), see pages 34-35.

# Parts - Air Compressor (Series A)

## Parts - Air Compressor (Series A)

### 25D490 (120V) & 25D491 (230V)

Ref.	Torque
 1	15-20 in-lb (1.7 - 2.3 N•m)
 2	35-40 in-lb (4.0 - 4.5 N•m)



6133412a



# Parts List - Air Compressor (Series A)

## Parts List - Air Compressor (Series A)

### 25D490 (120V) & 25D491 (230V)

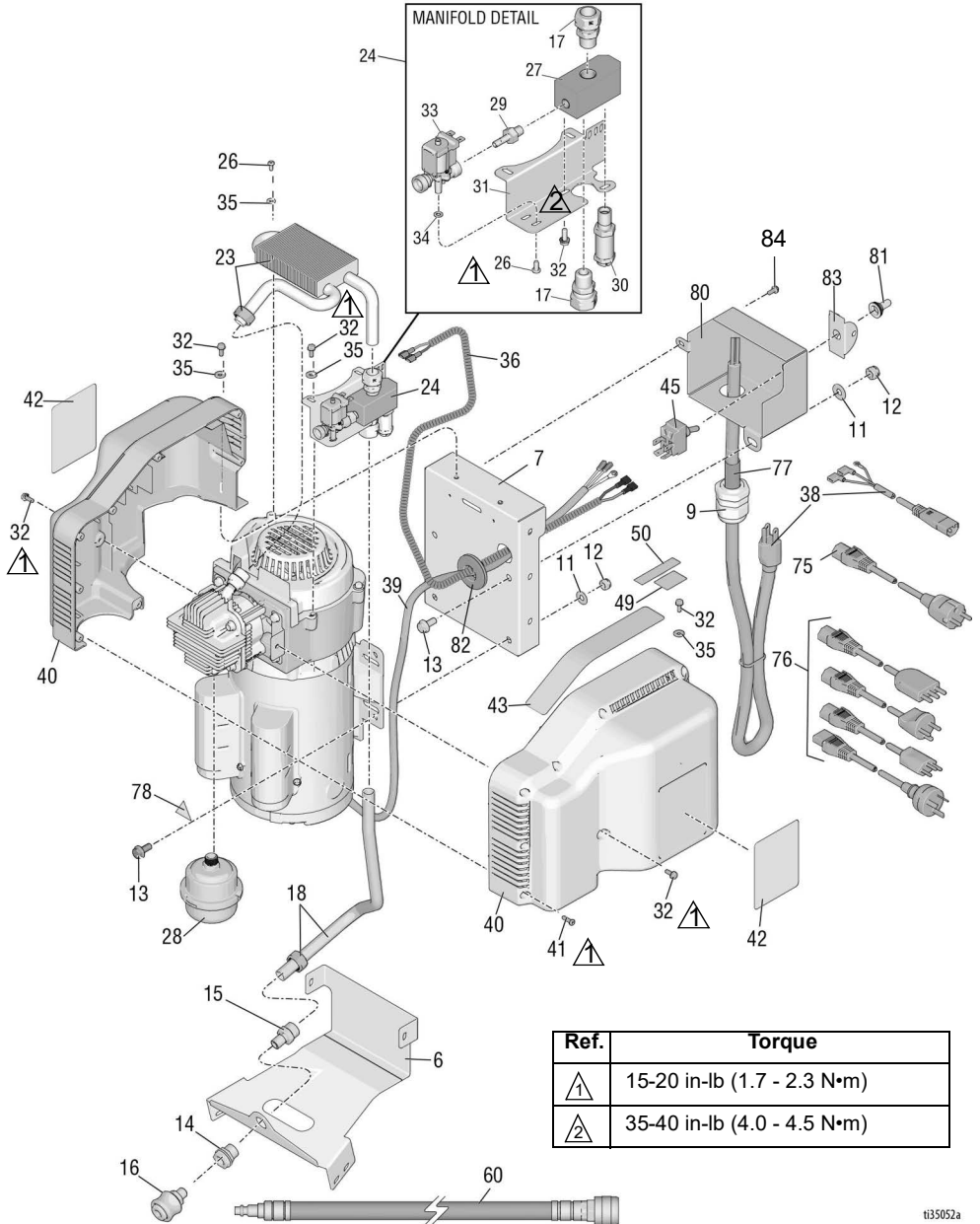
Ref.Part	Description	Qty	Ref.Part	Description	Qty
6	17V066 BRACKET, cart, air compressor	1	34	107584 WASHER, plain	2
7	17V065 PLATE, mounting, motor	1	35	112776 WASHER, plain	5
9	116171 BUSHING, strain relief	1	36	17V678 WIRE, harness, solenoid	1
11	196001 WASHER	4	38	17V687 CORD, power, 120V	1
12	111040 NUT, lock, insert, nylock, 5/16	4		17U845 CORD, power, 230V	1
13	110963 SCREW, cap, flange head	4	39	17V725 HARNESS, wire, motor	1
14	104641 FITTING, bulkhead	1	40	26A562 KIT, clamshell, assy.	1
15	17V716 FITTING, adapter	1	41	115477 SCREW, mach, torx pan hd	8
16	17W199 COUPLER, w/ grip	1	42	17V262 LABEL, brand, FastFinish, side	2
17	130466 FITTING, connector, 5/8 tube	2	43	17V263 LABEL, brand, FastFinish, top	1
18	26A566 TUBE, outlet, manifold	1	45	17V589 SWITCH, power	1
23	26A565 KIT, repair, cooler	1	49	16D576 LABEL, made in USA	1
24	25N024 KIT, manifold, 120V	1	50	17P924 LABEL, A+ Service, 120V	1
	25N025 KIT, manifold, 230V	1		17P925 LABEL, A+ Service, 230V	1
26	15T790 FASTENER, 8-16 plastite .375 lg.	3	60	26A563 KIT, repair, air hose	1
27	17U999 MANIFOLD, pneumatic	1	75	242001 CORD SET, adapter, 230V	1
28	130644 MUFFLER, intake, compressor	1	76	243280 CORD SET, adapter, 230V	1
29	130496 FITTING, adapter	1	77	15F480 SLEEVE, cord, 230V	1
30	120617 VALVE, pressure relief	1	78▲	15K616 LABEL, caution, hot surface	1
31	17V027 BRACKET, mounting, manifold	1			
32	16M007 SCREW, mach, serrated hex hd	8			
33	130484 SOLENOID, 120V	1			
	130485 SOLENOID, 230V	1			

▲ Replacement safety labels, tags, and cards are available at no cost.

# Parts - Air Compressor (Series B)

## Parts - Air Compressor (Series B)

25D490 (120V) & 25D491 (230V)



t135052a

# Parts List - Air Compressor (Series B)

## Parts List - Air Compressor (Series B)

### 25D490 (120V) & 25D491 (230V)

Ref.Part	Description	Qty	Ref.Part	Description	Qty
6	17V066 BRACKET, cart, air compressor	1	+ 17Z060	CORD, power, 230V	1
7	17V065 PLATE, mounting, motor	1	39*+ 17Z057	HARNESS, wire, motor	1
9	116171 BUSHING, strain relief	1	40*+ 26A562	KIT, clamshell, assy.	1
11	196001 WASHER	4	41	115477 SCREW, mach, torx pan hd	8
12	111040 NUT, lock, insert, nylock, 5/16	4	42	17V262 LABEL, brand, FastFinish, side	2
13	110963 SCREW, cap, flange head	4	43	17V263 LABEL, brand, FastFinish, top	1
14	104641 FITTING, bulkhead	1	49	16D576 LABEL, made in USA	1
15	17V716 FITTING, adapter	1	50	17P924 LABEL, A+ Service, 120V	1
16	17W199 COUPLER, w/ grip	1	45*+ 17Y947	TOGGLE, switch	1
17	130466 FITTING, connector, 5/8 tube	2	60	26A563 KIT, repair, air hose	1
18	26A566 TUBE, outlet, manifold	1	75	242001 CORD SET, adapter, 230V	1
23	26A565 KIT, repair, cooler	1	76	243280 CORD SET, adapter, 230V	1
24	25N024 KIT, manifold, 120V	1	77	15F480 SLEEVE, cord, 230V	1
	25N025 KIT, manifold, 230V	1	78▲	15K616 LABEL, caution, hot surface	1
26	15T790 FASTENER, 8-16 plastite .375 lg.	3	80*+ 17Y951	BOX, switch (17Y894 switch box rental)	1
27	17U999 MANIFOLD, pneumatic	1	81*+ 131717	BOOT, toggle	1
28	130644 MUFFLER, intake, compressor	1	82*+ 17Y949	GROMMET	1
29	130496 FITTING, adapter	1	83*+ 107255	GUARD, switch	1
30	120617 VALVE, pressure relief	1	84*+ 128978	SCREW, #8-32	1
31	17V027 BRACKET, mounting, manifold	1			
32	16M007 SCREW, mach, serrated hex hd	8			
33	130484 SOLENOID, 120V	1			
	130485 SOLENOID, 230V	1			
34	107584 WASHER, plain	2			
35	112776 WASHER, plain	5			
36*+ 17Z058	WIRE, harness, solenoid	1			
38* 17Z059	CORD, power, 120V	1			

\* Included in 120V Conversion Kit 17Y950 (Series A to Series B)


+ Included in 230V Conversion Kit 17Z069 (Series A to Series B)

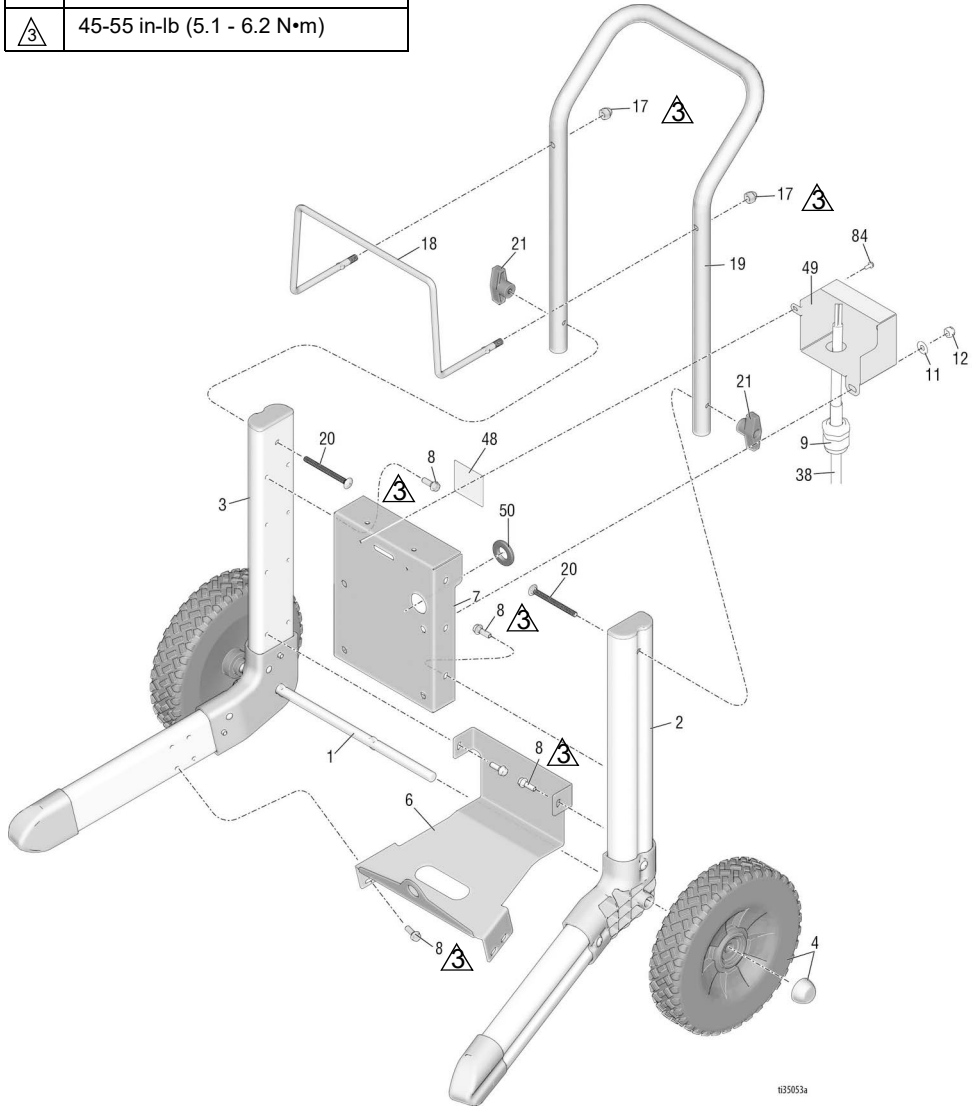
▲ Replacement safety labels, tags, and cards are available at no cost.

# Parts - Air Compressor (cont.)

## Parts - Air Compressor (cont.)

25D490 (120V) & 25D491 (230V)

Ref.	Torque
	45-55 in-lb (5.1 - 6.2 N•m)



# Parts List - Air Compressor (cont.)

## Parts List - Air Compressor (cont.)

### 25D490 (120V) & 25D491 (230V)

Ref.Part	Description	Qty	Ref.Part	Description	Qty
1	15R602 AXLE, cart	1	38	17V687 CORD, power, 120V (Series A)	1
2	25D526 LEG, cart, left	1		17U845 CORD, power, 230V (Series A)	1
3	25D527 LEG, cart, right	1		17Z059 CORD, power, 120V (Series B)	1
4	24Y324 KIT, repair, wheel & hub cap	2		17Z060 CORD, power, 240V (Series B)	1
6	17V066 BRACKET, cart, air compressor	1	48▲	17V950 LABEL, warning, electric shock, 120V	1
7	17V065 PLATE, mounting, motor	1		▲ 17W875 LABEL, warning, electric shock, 230V	1
8	260212 SCREW, hex washer hd, thd form	12	49	17Y951 BOX, switch (Series B)	1
9	116171 BUSHING, strain relief	1	50	17Y949 GROMMET (Series B)	1
17	120689 NUT, hex	2	84	128978 SCREW, #8-32	1
18	16H350 RACK, hose	1			
19	16H353 HANDLE, cart	1			
20	120788 SCREW, carriage	2			
21	115480 KNOB, t-handle	2			

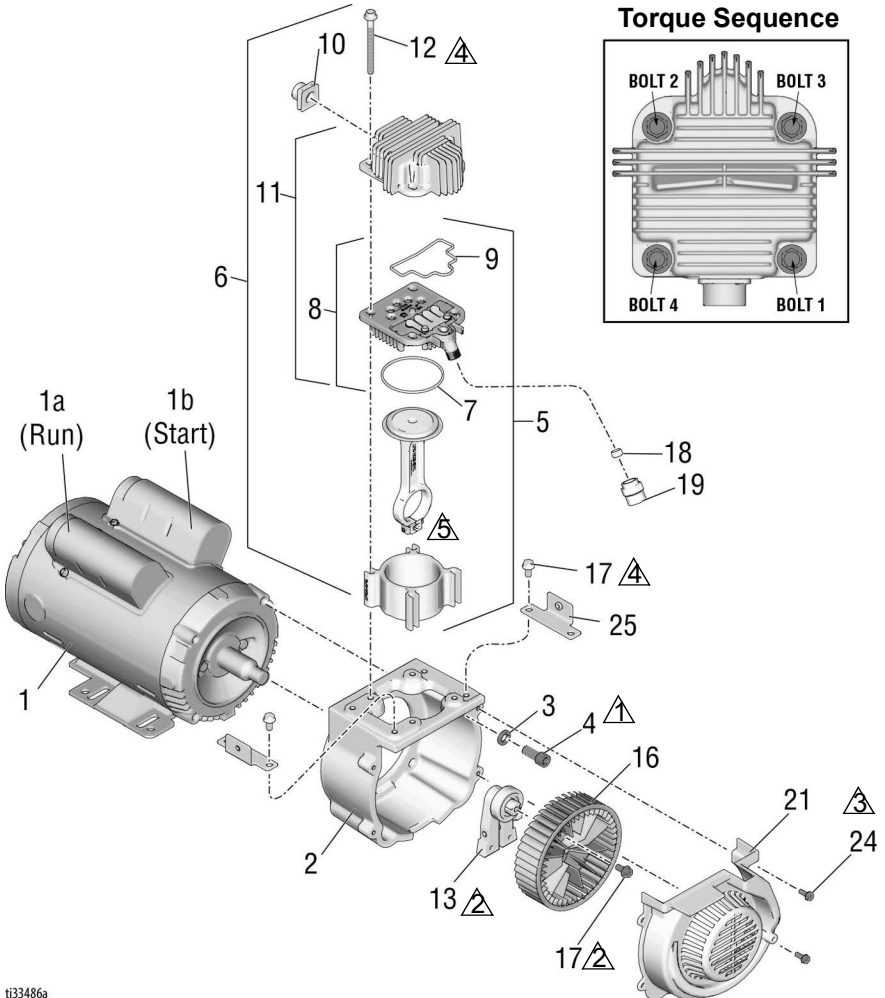
▲ Replacement safety labels, tags, and cards are available at no cost.

# Parts - Air Compressor

## Parts - Air Compressor

### 25D490 (120V) & 25D491 (230V)

Ref.	Torque
①	215-225 in-lb (24.3 - 25.4 N•m)
②	115-125 in-lb (13.0 - 13.1 N•m)
③	15-20 in-lb (1.7 - 2.3 N•m)
④	120-140 in-lb (13.6 - 15.9 N•m)
⑤	50-65 in-lb (5.6 - 7.3 N•m)



ti33486a

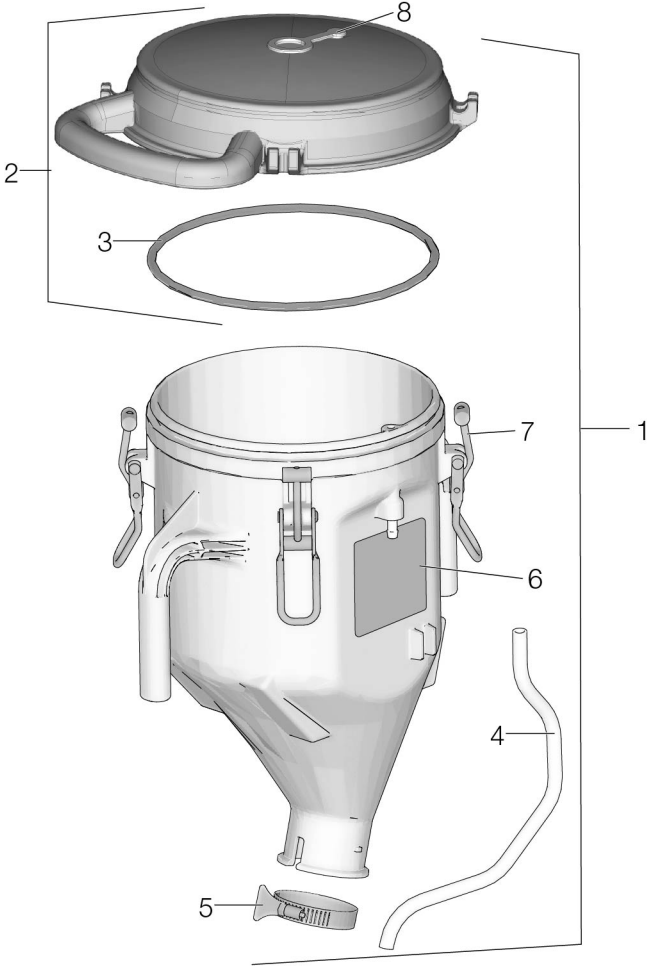
## Parts List - Air Compressor

### 25D490 (120V) & 25D491 (230V)

Ref.Part	Description	Qty	Ref.Part	Description	Qty
1	MOTOR, AC, 120V	1	9	17Y549 O-RING, head	1
	MOTOR, AC, 230V	1	10	17V541 ADAPTER, inlet, air compressor	1
1a	130687 CAPACITOR, run, 120V	1	11	24S130 HEAD, compressor	1
	130689 CAPACITOR, run, 230V	1	12	17H560 SCREW, cap, serrated flange hd	4
1b	130688 CAPACITOR, start, 120V	1	13	26A561 SHAFT, crank, air	1
	130690 CAPACITOR, start, 230V	1	16	130451 FAN, blower wheel, air cooler	1
2	17H800 HOUSING, air compressor	1	17	113161 SCREW, flange, hex hd	5
3	100133 WASHER, lock, 3/8	4	18	130437 SLEEVE, compression nut, 3/8 tube	1
4	556517 SCREW, 3/8-16 x .875	4	19	17U844 FITTING, cylinder head	1
5	24S150 CYLINDER, compressor	1	21	17V045 COVER, blower fan, compressor	1
6	26A560 KIT, repair, compressor	1	24	16M007 SCREW, mach, serrated hex hd	2
7	17Y553 O-RING, square	1	25	17U929 BRACKET, shroud support	2
8	24S131 PLATE, valve assembly	1			

# Parts - Pressurized Hopper 25D496

## Parts - Pressurized Hopper 25D496



ti33414b



# Parts List- Pressurized Hopper 25D496

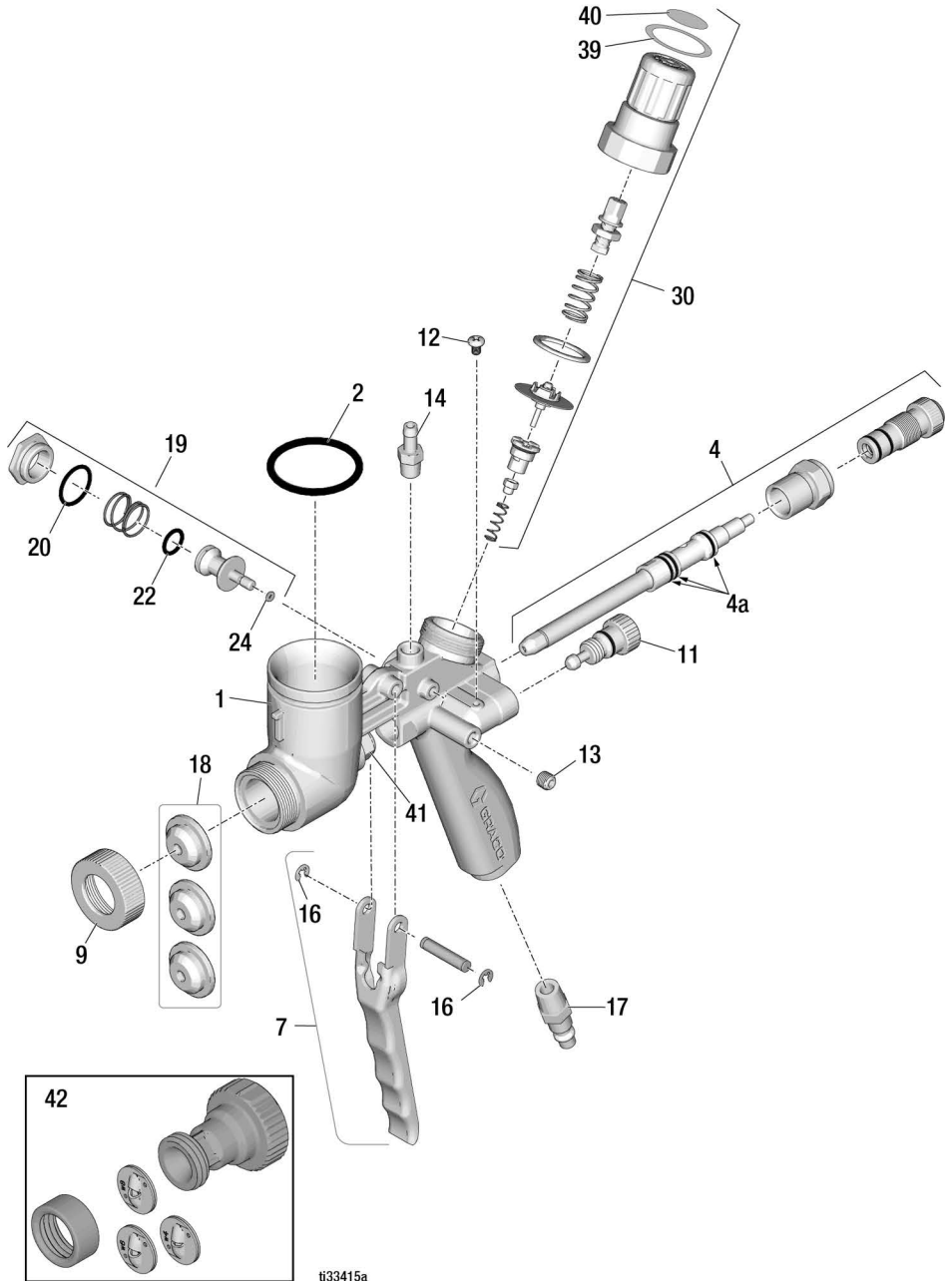
## Parts List- Pressurized Hopper 25D496

Ref.Part	Description	Qty
1	17V946 HOPPER, assembly	1
2	17V947 LID, hopper, pressurized	1
3	17V246 O-RING	1
4	17V945 TUBE	1
5	17V223 CLAMP, hopper	1
6▲	17W855 LABEL, safety, warning, rupture	1
7	17V709 PIN	4
8	17Y386 PLUG, rubber, pressure lid	1

▲ Replacement safety labels, tags, and cards are available at no cost.

# Parts - Pressurized Gun 25D496

## Parts - Pressurized Gun 25D496



ti33415a

# Parts List - Pressurized Gun 25D496

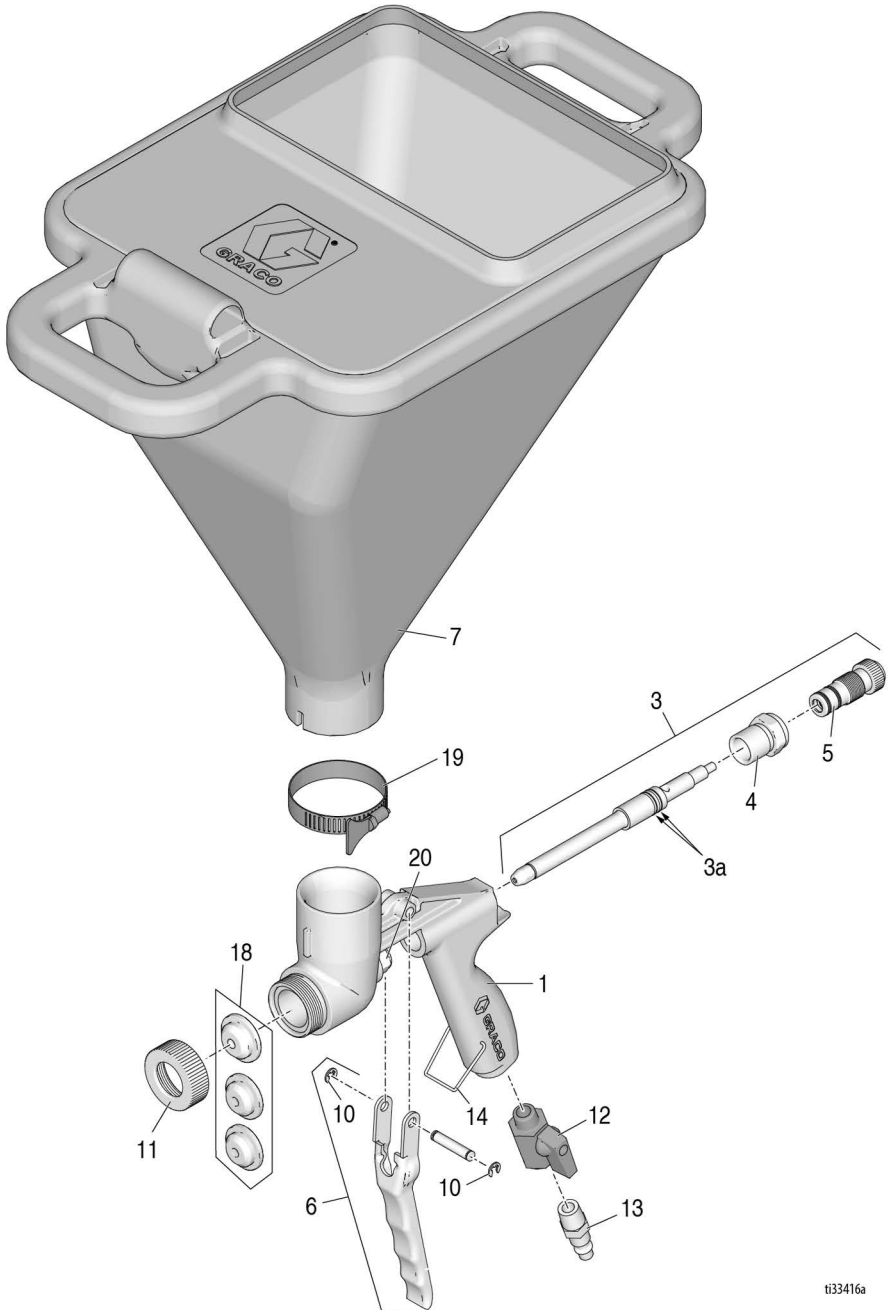
## Parts List - Pressurized Gun 25D496

Ref.Part	Description	Qty	Ref.Part	Description	Qty
1	GUN, body, pressurized	1	24†	O-RING	1
2†	17V705 O-RING	1	30	17V953 HOUSING, regulator <i>includes 31-40</i>	1
4	17V948 NEEDLE, assembly <i>includes 5, 6, 4†</i>	1	31	ADJUSTER, regulator	1
4a	197650 O-RING	3	32	SPRING, adjusting, regulator	1
5	BUSHING	1	33	RING, retainer, regulator	1
6	KNOB, adjusting, assy	1	34	SPRING, seat, regulator	1
7	17V944 KIT, repair, trigger	1	35	SEAT, thread, regulator	1
9	17U921 CAP, retaining	1	36	HOLDER, diaphragm, assy.	1
11	17V980 KIT, repair, valve	1	37†	PACKING, o-ring	1
12	17V711 SCREW, 8-32 UNC	1	38	PLUG, sealing, regulator	1
13	17V710 PLUG, 1/16-27 NPT	1	39	17V664 LABEL, bonnet, regulator	1
14	17V192 FITTING, 1/8-27 NPT	1	40	17V665 LABEL, knob, regulator	1
16	131180 RETAINING, ring, 4mm	1	41	17V948 BOLT, needle, assy	1
17	119394 FITTING, line, air	1	42	17V692 KIT, widetex	1
18	17V694 KIT, nozzles (4mm, 6mm, 8mm)	1		17V691 ADAPTER, housing	1
19	17V952 KIT, repair, air relief valve <i>includes 20-24</i>	1		17H637 NUT, retaining	1
20†	O-RING	1		24S099 TIP, disk, spray, W4	1
21	SPRING, valve, relief	1		24S100 TIP, disk, spray, W6	1
22†	O-RING	1		24S101 TIP, disk, spray, W8	1
23	PISTON, valve, relief	1			

† Included in Repair Kit 17V951

# Parts - Gravity-Fed Hopper Gun 25D497

## Parts - Gravity-Fed Hopper Gun 25D497



ti33416a

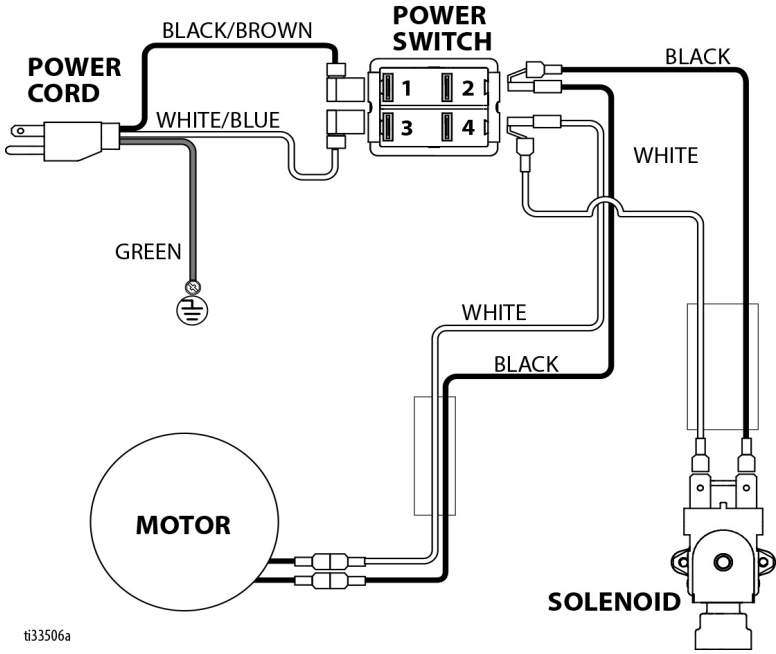
# Parts List - Gravity-Fed Hopper Gun 25D497

## Parts List - Gravity-Fed Hopper Gun 25D497

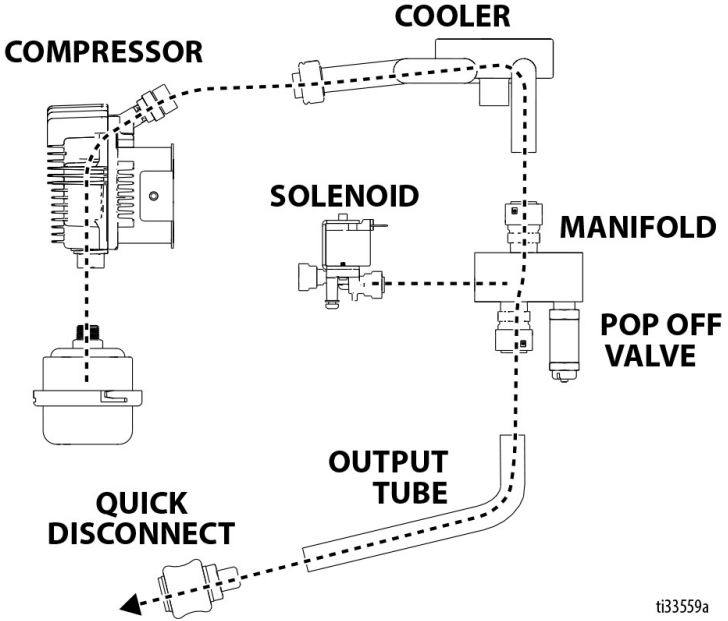
Ref.Part	Description	Qty
1	GUN, body, gravity-fed	1
3	17V949 KIT, repair, needle <i>includes 4, 5, 20</i>	1
3a	197650 O-RING	2
4	BUSHING	1
5	KNOB, adjusting, assy	1
6	17V944 KIT, trigger, gun	1
7	276873 HOPPER, 1.5 gallon	1
9	PIN, dowel, trigger	2
10	131180 RING, retainer	1
11	17U921 CAP, retaining	1
12	15B565 VALVE, ball	1
13	119394 FITTING, line, air	1
14	17V042 LOCK, trigger	1
18	17V694 KIT, nozzles (4mm, 6mm, 8mm)	1
19	17V223 CLAMP, hopper	1
	17V954 KIT, o-ring	1
20	17V949 KIT, repair, needle	1

# Wiring Diagram

## Wiring Diagram



# Air Diagram



ti33559a

# Technical Specifications

## Technical Specifications

Air Compressor & Hopper Guns (Gravity-Fed & Pressurized)		
	US	Metric
<b>Maximum working air pressure</b>		
Pressurized Hopper	5 psi	0.03 MPa, 0.3 bar
Compressor	60 psi	0.41 MPa, 4.1 bar
Pressurized Gun	150 psi	1.03 MPa, 10.3 bar
Air Hose	150 psi	1.03 MPa, 10.3 bar
<b>Maximum air flow</b>		
	9 cfm @ 40 psi	15.3 m <sup>3</sup> /h
<b>Noise (dBa)</b>		
<b>Sound Power</b>		
120V	107.1 dBa	
230V	105.7 dBa	
<b>Sound Pressure</b>		
120V	90.2 dBa	
230V	88.8 dBa	
<b>Weight</b>		
Compressor & Hose	73.9 lb.	33.5 kg
Gravity Gun & Hopper	4.3 lb.	2.0 kg
Pressurized Gun & Hopper	5.0 lb.	2.3 kg
<b>Materials of Construction</b>		
Wetted materials on all models	brass, stainless steel, HDPE, aluminum, nitrile, PTFE	
<b>Notes</b>		
*Sound pressure measured 3 feet (1 meter) from equipment. Sound power measured per ISO-3744.		



## Graco Standard Warranty

Graco warrants all equipment referenced in this document which is manufactured by Graco and bearing its name to be free from defects in material and workmanship on the date of sale to the original purchaser for use. With the exception of any special, extended, or limited warranty published by Graco, Graco will, for a period of twelve months from the date of sale, repair or replace any part of the equipment determined by Graco to be defective. This warranty applies only when the equipment is installed, operated and maintained in accordance with Graco's written recommendations.

This warranty does not cover, and Graco shall not be liable for general wear and tear, or any malfunction, damage or wear caused by faulty installation, misapplication, abrasion, corrosion, inadequate or improper maintenance, negligence, accident, tampering, or substitution of non-Graco component parts. Nor shall Graco be liable for malfunction, damage or wear caused by the incompatibility of Graco equipment with structures, accessories, equipment or materials not supplied by Graco, or the improper design, manufacture, installation, operation or maintenance of structures, accessories, equipment or materials not supplied by Graco.

This warranty is conditioned upon the prepaid return of the equipment claimed to be defective to an authorized Graco distributor for verification of the claimed defect. If the claimed defect is verified, Graco will repair or replace free of charge any defective parts. The equipment will be returned to the original purchaser transportation prepaid. If inspection of the equipment does not disclose any defect in material or workmanship, repairs will be made at a reasonable charge, which charges may include the costs of parts, labor, and transportation.

**THIS WARRANTY IS EXCLUSIVE, AND IS IN LIEU OF ANY OTHER WARRANTIES, EXPRESS OR IMPLIED, INCLUDING BUT NOT LIMITED TO WARRANTY OF MERCHANTABILITY OR WARRANTY OF FITNESS FOR A PARTICULAR PURPOSE.**

Graco's sole obligation and buyer's sole remedy for any breach of warranty shall be as set forth above. The buyer agrees that no other remedy (including, but not limited to, incidental or consequential damages for lost profits, lost sales, injury to person or property, or any other incidental or consequential loss) shall be available. Any action for breach of warranty must be brought within two (2) years of the date of sale.

**GRACO MAKES NO WARRANTY, AND DISCLAIMS ALL IMPLIED WARRANTIES OF MERCHANTABILITY AND FITNESS FOR A PARTICULAR PURPOSE, IN CONNECTION WITH ACCESSORIES, EQUIPMENT, MATERIALS OR COMPONENTS SOLD BUT NOT MANUFACTURED BY GRACO.** These items sold, but not manufactured by Graco (such as electric motors, switches, hose, etc.), are subject to the warranty, if any, of their manufacturer. Graco will provide purchaser with reasonable assistance in making any claim for breach of these warranties.

In no event will Graco be liable for indirect, incidental, special or consequential damages resulting from Graco supplying equipment hereunder, or the furnishing, performance, or use of any products or other goods sold hereto, whether due to a breach of contract, breach of warranty, the negligence of Graco, or otherwise.

### **FOR GRACO CANADA CUSTOMERS**

The Parties acknowledge that they have required that the present document, as well as all documents, notices and legal proceedings entered into, given or instituted pursuant hereto or relating directly or indirectly hereto, be drawn up in English. Les parties reconnaissent avoir convenu que la rédaction du présente document sera en Anglais, ainsi que tous documents, avis et procédures judiciaires exécutés, donnés ou intentés, à la suite de ou en rapport, directement ou indirectement, avec les procédures concernées.

# Graco Information

For the latest information about Graco products, visit [www.graco.com](http://www.graco.com).

For patent information, see [www.graco.com/patents](http://www.graco.com/patents).

**TO PLACE AN ORDER**, contact your Graco distributor or call 1-800-690-2894 to identify the nearest distributor.

*All written and visual data contained in this document reflects the latest product information available at the time of publication.*

*Graco reserves the right to make changes at any time without notice.*

Original instructions. This manual contains English. MM 3A5725

**Graco Headquarters:** Minneapolis

**International Offices:** Belgium, China, Japan, Korea

**GRACO INC. AND SUBSIDIARIES • P.O. BOX 1441 • MINNEAPOLIS MN 55440-1441 • USA**

**Copyright 2018, Graco Inc. All Graco manufacturing locations are registered to ISO 9001.**

[www.graco.com](http://www.graco.com)

Revision G, February 2024